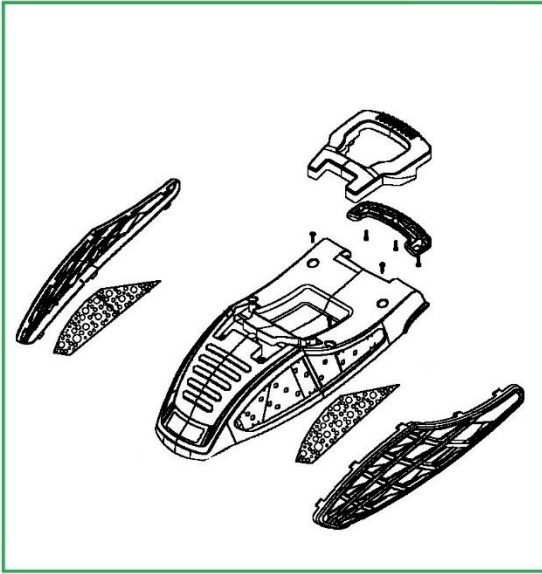
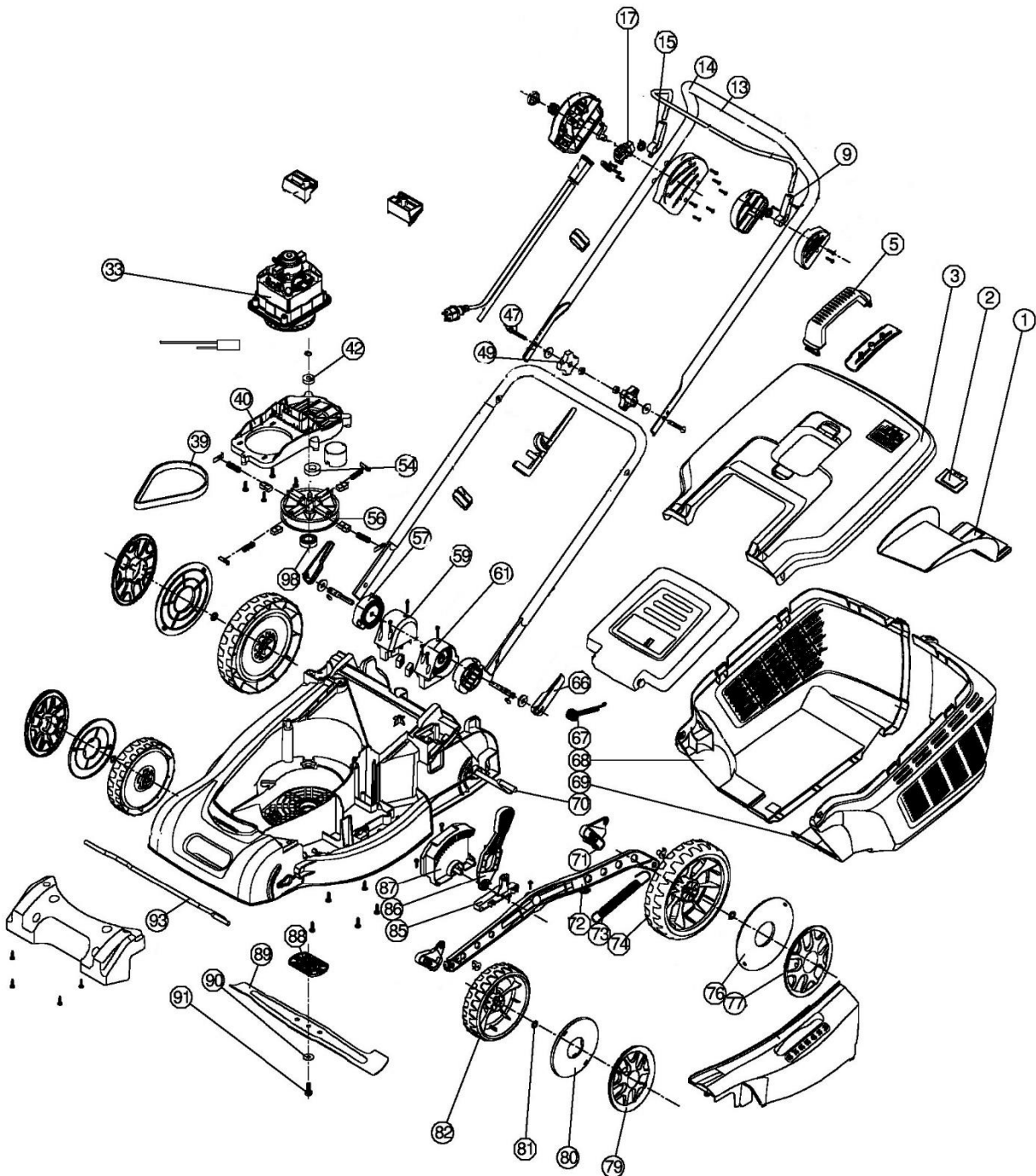
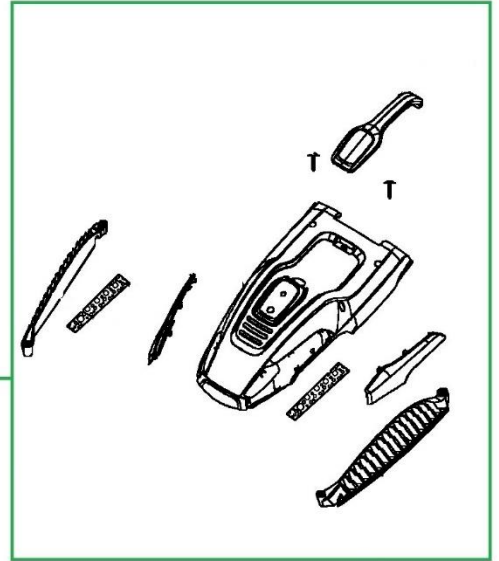


2015 and older



2016



Position	Part number	Name
1	184200001	Tongue
2	363801003	Grass level indicator
3	184200003	Grasscatcher upper cover
5	184200005	Grasscatcher handle
9	184200009	Pulling pole left holder
10	184200010	Spring
12	184200012	Switch pulling pole
15	184200015	Pulling pole right holder
17	363802009	Switch
33	184200032	Motor (model 2015 and older)
	184200032A	Motor (model 2016)
35	163800011A	Thermal cutoff
39	1843R0018	Ribbed belt 8PJ451
40	184200037	Motor base board
42	8B-609-2Z	Bearing 609
47	120200027	Handle bolt
49	184200046	Knob nut
54	8B-6002-2RS	Bearing 6002-RS
56	184200054	Sheave
57	184200055	Handle adjustment gear ring
59	184200057	Lower handle right seat
61	184200059	Lower handle right seat
62	184200060	Handle lock bolt
66	184200064	Locking handle
67	184200065	Rear board spring
68	184200066	Grasscatcher right part
69	184200067	Grasscatcher left part
70	184200068	Rear wheel axle
71	184200069	Rear bracket of adjusting rod
72	184200070	Height adjusting rod
73	163800062	Spring
74	184200072	Rear wheel
76	184200074	Rear wheel cover beset
77	184200075	Rear wheel cover
79	143400043	Front wheel cover
80	143400044	Rear wheel cover beset
81	163800013	Clip
82	143400045	Front wheel
85	184200083	Lever base
86	184200084	Height adjustment lever
87	184200085	Height adjustment board
88	184200086	Blade holder
89	184200087	Blade
90	184200088	Washer
91	184200089	Blade bolt
93	184200091	Front wheel axle